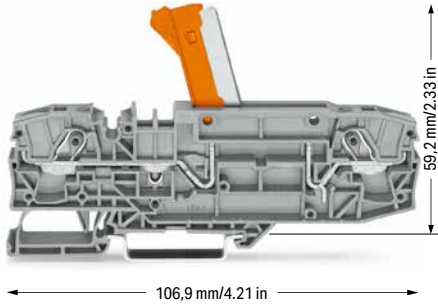


Disconnect/Test Terminal Block; Through/Carrier Terminal Block of Same Profile TOPJOB® S 6 (10) mm²; 2006 Series

1

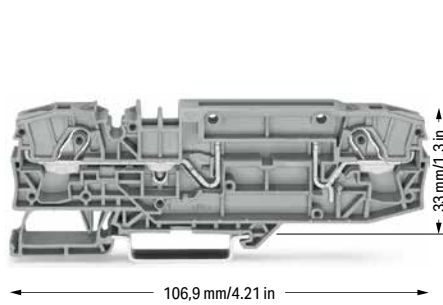
Technical Data	
0.5 ... 6 (10) mm ² ①	20 ... 8 AWG
1000 VAC/DC / 1500 VDC / 12 kV / 3 ②	
I _N 30 A 600 V, 30 A ^{VA} ; 1000 V, 30 A [ⓐ]	
Terminal block width: 15 mm / 0.591 inch	
13 ... 15 mm / 0.51 ... 0.59 inch	



2-conductor disconnect/test terminal block; with test point; orange disconnect link

Color	Item No.	Pack. Unit
○ gray	2006-8671	12
● blue	2006-8674	12

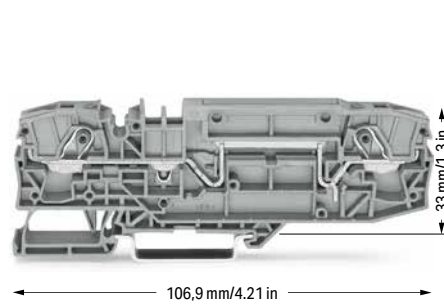
Technical Data	
0.5 ... 6 (10) mm ² ①	20 ... 8 AWG
1000 VAC/DC / 1500 VDC / 12 kV / 3 ②	
I _N 30 A 600 V, 30 A ^{VA} ; 1000 V, 30 A [ⓐ]	
Terminal block width: 15 mm / 0.591 inch	
13 ... 15 mm / 0.51 ... 0.59 inch	



2-conductor carrier terminal block; with test point

Color	Item No.	Pack. Unit
○ gray	2006-8661	12
● blue	2006-8664	12

Technical Data	
0.5 ... 6 (10) mm ² ①	20 ... 8 AWG
1000 VAC/DC / 1500 VDC / 12 kV / 3 ②	
I _N 30 A 600 V, 30 A ^{VA} ; 1000 V, 30 A [ⓐ]	
Terminal block width: 15 mm / 0.591 inch	
13 ... 15 mm / 0.51 ... 0.59 inch	





2-conductor through terminal block; with test point; same profile as 2-conductor disconnect terminal block


Color	Item No.	Pack. Unit
○ gray	2006-8601	12
● blue	2006-8604	12


Accessories; item-specific
Disconnect plug for carrier terminal blocks; suitable when using a carrier terminal block as disconnect terminal block


	orange	2006-8401	48 (12)
---	--------	-----------	---------

Accessories; 2006 Series


End and intermediate plate; 1 mm thick			
	orange	2006-8692	48 (12)
	gray	2006-8691	48 (12)


Protective warning marker; with black high-voltage symbol; for 5 terminal blocks			
	yellow	2006-115	100 (25)


Push-in type jumper bar; insulated; I _N 41 A; light gray			
	1 to 3	2006-433	25
	1 to 5	2006-435	25

Lockout cap; for conductor entry and operating slot			
	gray	2006-191	25

Appropriate marking systems: WMB/Marking strips

WMB Inline, plain; 1,500 WMB markers (5 mm)/reel; 5 ... 5.2 mm stretchable			
	white	2009-115	1

Marking strip; plain; 11 mm wide; 50 m reel			
	white	2009-110	1

WMB marking card; white; 10 strips with 10 markers/card; 5 ... 5.2 mm stretchable			
	plain	793-5501	5

WMB marking card; plain; 10 strips with 10 markers/card; 5 ... 5.2 mm stretchable			
	yellow	793-5501/000-002	5
	red	793-5501/000-005	5
	blue	793-5501/000-006	5
	gray	793-5501/000-007	5
	orange	793-5501/000-012	5
	light green	793-5501/000-017	5
	green	793-5501/000-023	5
	violet	793-5501/000-024	5